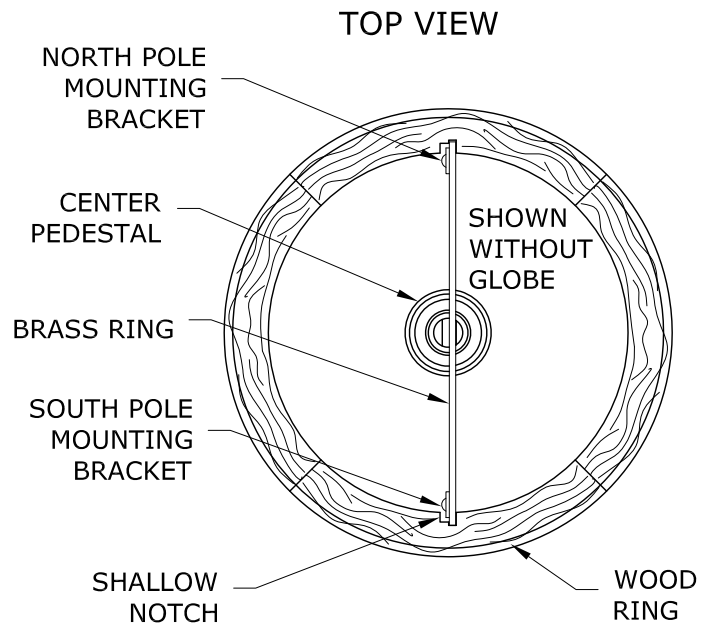
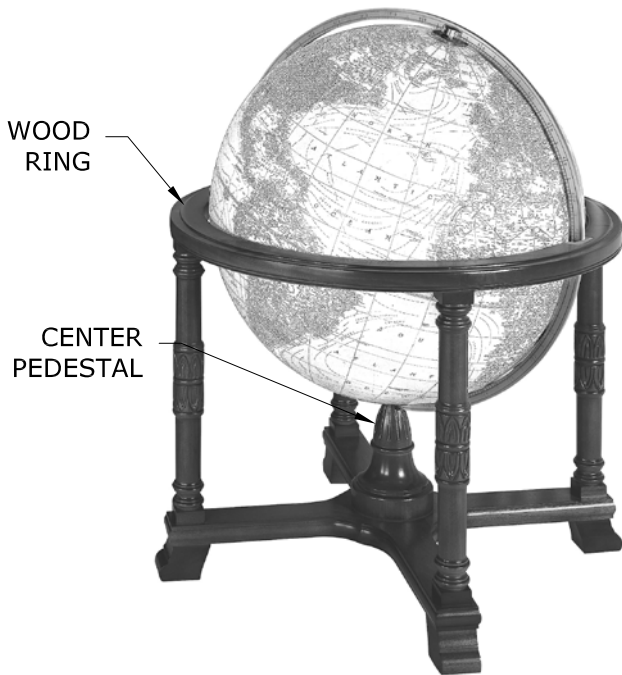
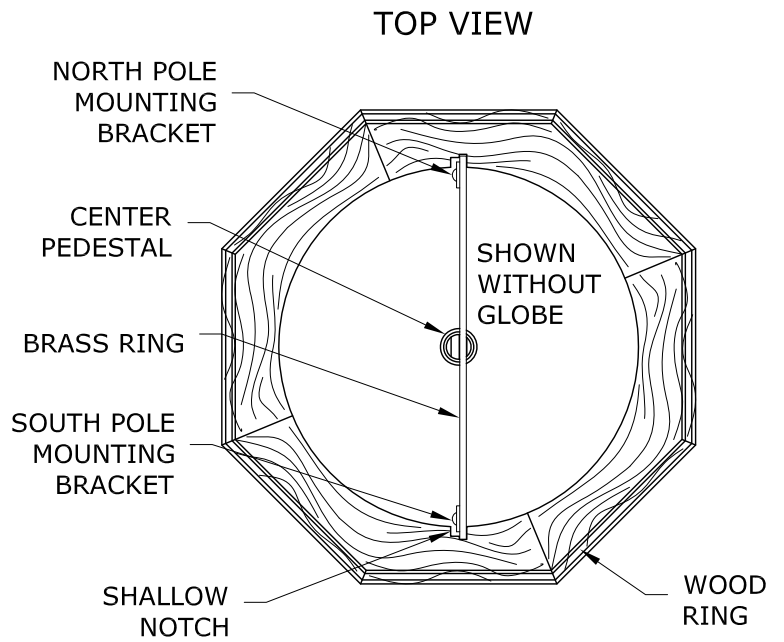


# ASSEMBLY INSTRUCTIONS

## 20"(50cm) OR 32"(81cm) GLOBE



TO PROPERLY ASSEMBLE YOUR GLOBE, POSITION THE NORTH AND SOUTH POLE MOUNTING BRACKETS SO THAT THEY FACE IN DIRECTION OF THE SHALLOW NOTCHES ON THE WOOD RING AND CENTER PEDESTAL.  
 THEN LOWER YOUR GLOBE BALL AND RING INTO THE STAND. THE GLOBE BALL CAN NOW BE ROTATED TO BRING EITHER POLE INTO FULL VIEW.



# Ultimate Globes

Delivering the World Everyday!

15074500 REV. 0808  
 REPLOGLE GLOBES, INC.