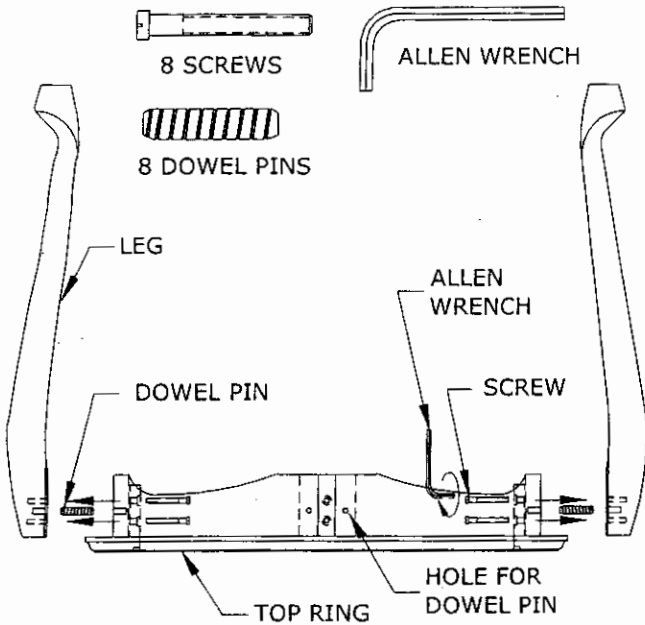
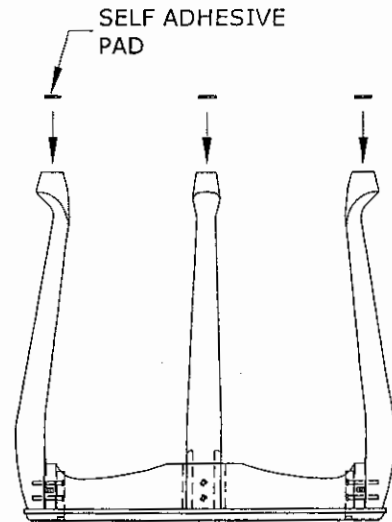


ASSEMBLY INSTRUCTIONS - QUEEN ANNE

- 1 PLACE TOP RING UPSIDE DOWN ON SOFT SURFACE TO PREVENT SCRATCHING. ASSEMBLE FOUR LEGS TO THE RING BY USING SUPPLIED SCREWS, DOWEL PINS AND ALLEN WRENCH.

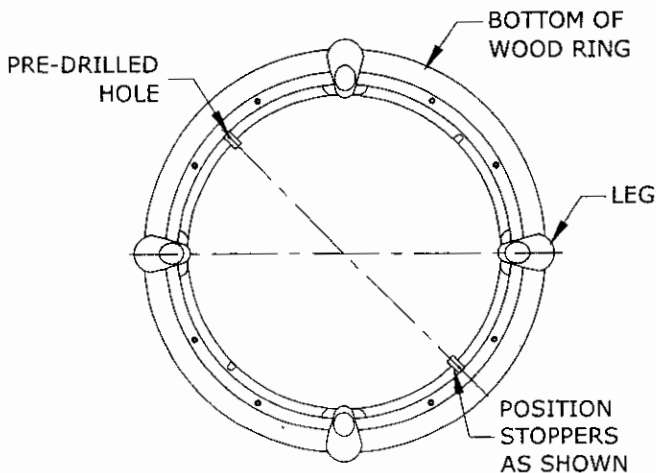


- 2 APPLY SELF ADHESIVE PADS ON STAND FEET TO PROTECT YOUR FLOOR FROM SCRATCHING. THEY MAY ALSO BE USED FOR LEVELING STAND, ALLOWING FOR VARIATIONS BETWEEN THE GLOBE STAND AND YOUR FLOOR.



- 3 **INSTRUCTIONS- ATTACHMENT OF GLOBE STOPPERS FOR ILLUMINATED GLOBE VERSIONS**
NOTE: STOPPERS ARE AN IMPORTANT SAFETY FEATURE TO AVOID DAMAGE OF ELECTRICAL CORD.

LOCATE TWO HOLES AT THE BOTTOM OF WOOD RING. ATTACH TWO BLACK RECTANGULAR STOPPERS TO THE RING BY USING PHILIPS HEAD SCREW DRIVER AND SUPPLIED WOOD SCREWS.



- 4 TURN THE ASSEMBLED STAND UPRIGHT. PLACE GLOBE BALL INTO SLOTS ON TOP RING.

